

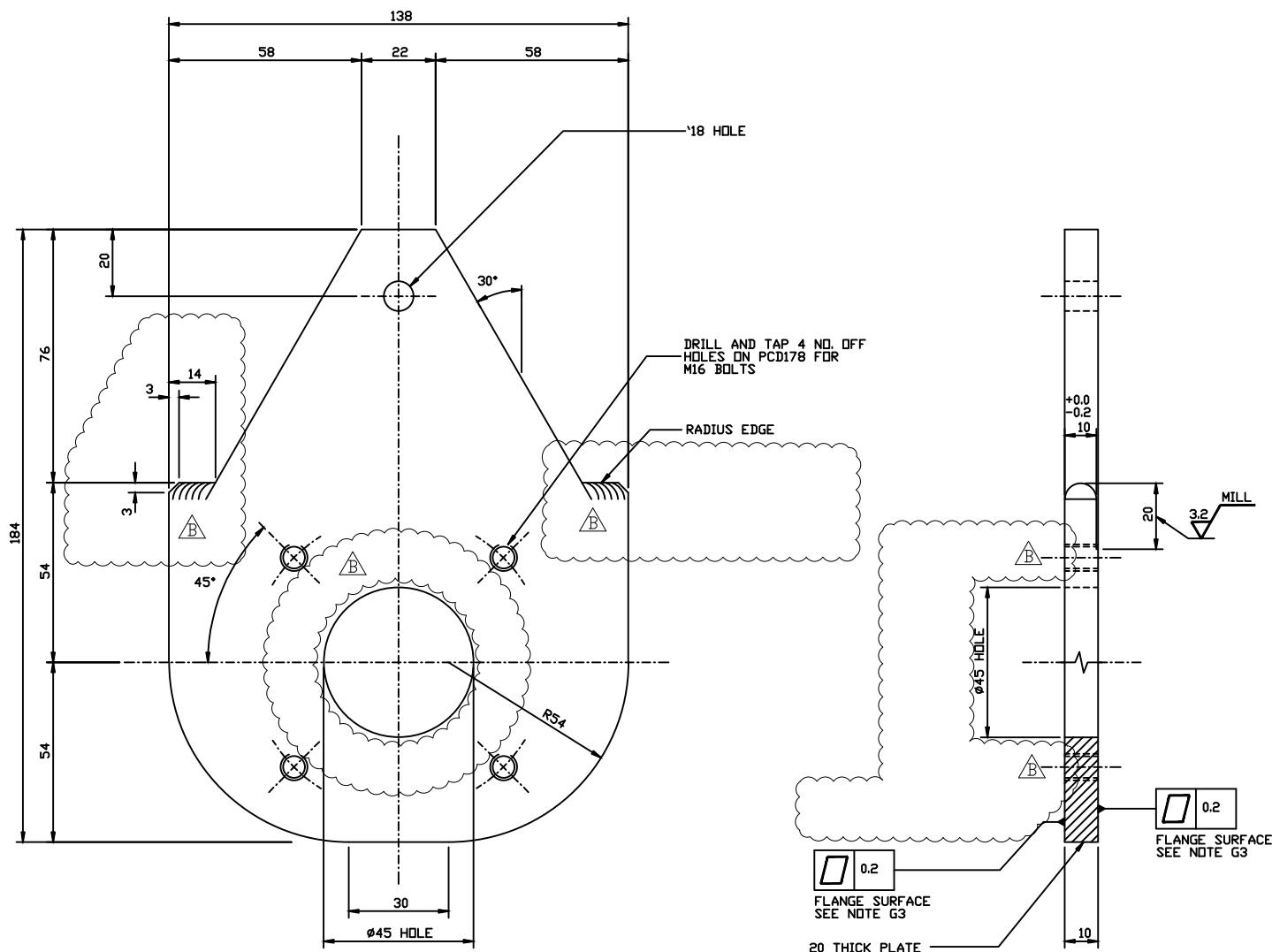
NOTES:

GENERAL

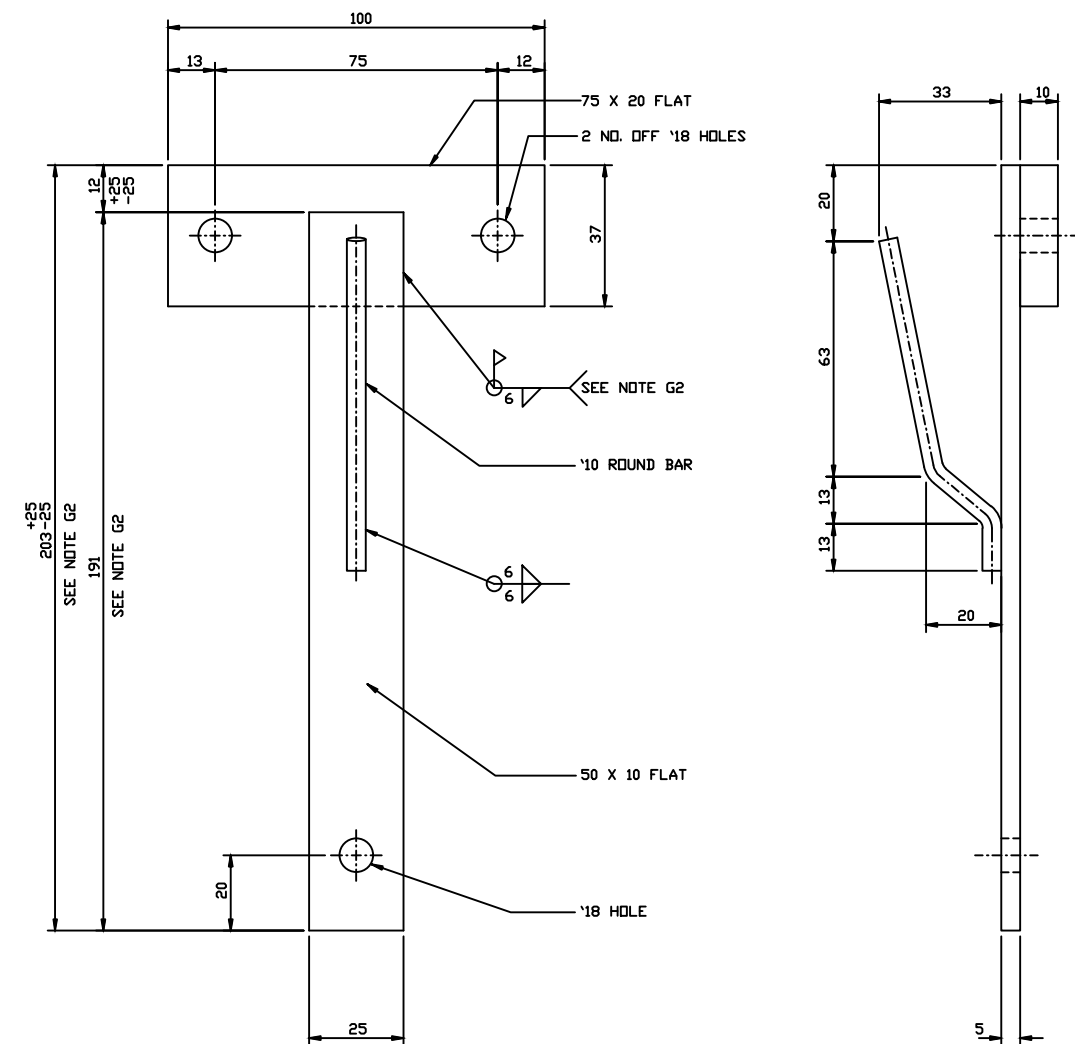
- G1. ALL DIMENSIONS ARE IN MILLIMETRES.
- G2. THE POSITION OF THE MASONRY ANCHORS ATTACHING THE HANGER TO THE PUMP STATION TOP MAY VARY IN LOCATION TO SUIT THE ROOF SLAB THICKNESS. AS INDICATED ON THIS DRAWING THE 50 X 10 FLAT IS TO BE WELDED ON SITE TO THE 200 X 75 WALL PLATE. THE POSITION FOR THIS WELD MAY VARY FROM +25 TO -25. THE CENTERLINE OF PUMP DISCHARGE WALL PIPE INTO THE VALVE PIT IS TO BE SET AT A MAXIMUM OF 750 FROM THE TOP SURFACE OF THE TOP SLAB. REFER TO NOTE G7 ON DRAWING NUMBER 486/5/25-0003-311. THE LENGTH OF THE BRACKET IS TO BE CONFIRMED BEFORE FABRICATION.
- G3. IF FLANGE FACES OF THE WALL PIPE BRACKET ARE NOT FLAT AND SUITABLE FOR GASKET SEALING THEN THE SURFACES ARE TO BE MACHINED. THE MINIMUM THICKNESS OF THE PLATE IS TO BE 19mm.

STAINLESS STEEL

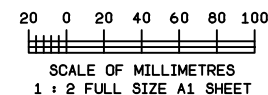
- SS1 STAINLESS STEELWORK SHALL COMPLY TO AS/NZS 1554.6-1994 OR APPROVED EQUIVALENT.
- SS2 STAINLESS STEEL MATERIALS SHALL BE SUPPLIED TO AISI GRADE 316 OR GRADE 316L.
- SS3 WELDING SHALL COMPLY TO AUSTRALIAN WELDING RESEARCH ASSOCIATION TECHNICAL NOTE 16 - WELDING STAINLESS STEELS. WELDS SHALL BE 4mm CONTINUOUS FILLET WELDS (AWS E316L ELECTRODE), UNLESS NOTED OTHERWISE.
- SS4 ALL STORAGE, FABRICATION AND WELDING OF STAINLESS STEEL SHALL BE CARRIED OUT IN AN AREA SPECIFICALLY DEDICATED TO THE PARTICULAR GRADE OF STAINLESS STEEL BEING USED.
- SS5 ALL FABRICATED STAINLESS STEELWORK IS TO BE PASSIVATED



DN100 WALL PIPE BRACKET
 MATERIAL: 316 STAINLESS STEEL
 SCALE: 1 : 2 ON FULL SIZE A1 DRAWING SHEET



DN100 WALL PIPE BRACKET HANGER
 MATERIAL: 316 STAINLESS STEEL
 SCALE: 1 : 2 ON FULL SIZE A1 DRAWING SHEET



NO.	DATE	AMENDMENT	DRAFTED	APPROVED
B	2/6/20	REMOVED PRESSURE GROVES & SURFACE MACHINING	S.T.H.	
A	2/12/10	UPDATED TO QUU REQUIREMENTS	I.G.B.	C.J.E.

THIS DRAWING SETS OUT THE GENERAL REQUIREMENTS FOR A STANDARD SEWERAGE PUMPING STATION. THE PROJECT SPECIFIC DESIGNING ENGINEER IS RESPONSIBLE FOR ENSURING ALL LEGISLATION AND OBLIGATIONS ARE FOLLOWED AND THE DESIGN MEETS THE FUNCTIONAL REQUIREMENTS SET OUT BY QUEENSLAND URBAN UTILITIES. ANY VARIATIONS FROM THE REQUIREMENTS SHOWN ON THIS DRAWING WILL REQUIRE QUEENSLAND URBAN UTILITIES APPROVAL.

DESIGN	R.P.E.Q. No.	DATE	DESIGN CHECK	R.P.E.Q. No.	DATE
ORIGINAL SIGNED I. G. BRUMBY		19/2/09	ORIGINAL SIGNED C. J. EATON	6511	23/2/09

MANAGER ENGINEERING SERVICES	DATE	MANAGER INFRASTRUCTURE PLANNING & SERVICES	DATE
ORIGINAL SIGNED K. VAHEESAN	24/2/09	ORIGINAL SIGNED A. KRUMINS	23/2/09



PROJECT STANDARD DRAWING SUBMERSIBLE SEWERAGE PUMPING STATION

TITLE CHAIN SUSPENDED SUBMERSIBLE PUMP DN100 WALL PIPE BRACKET AND HANGER DETAILS

SHEET No.	OF SHEETS	AMEND.
486/5/25-0003-313	B	