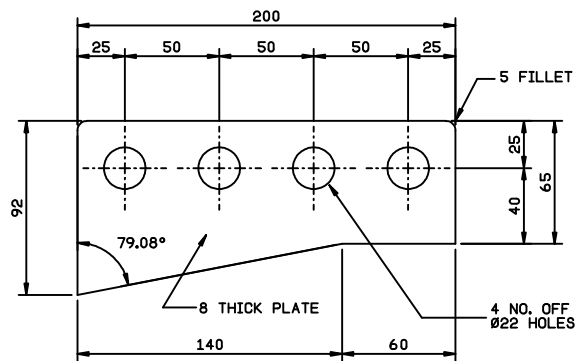
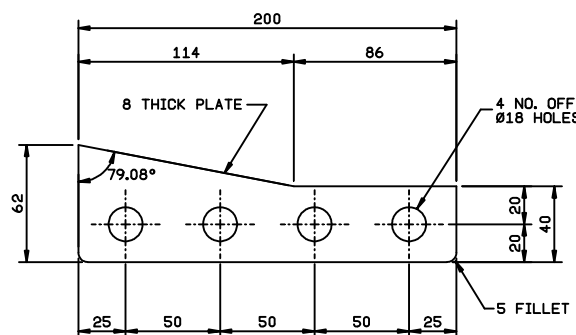


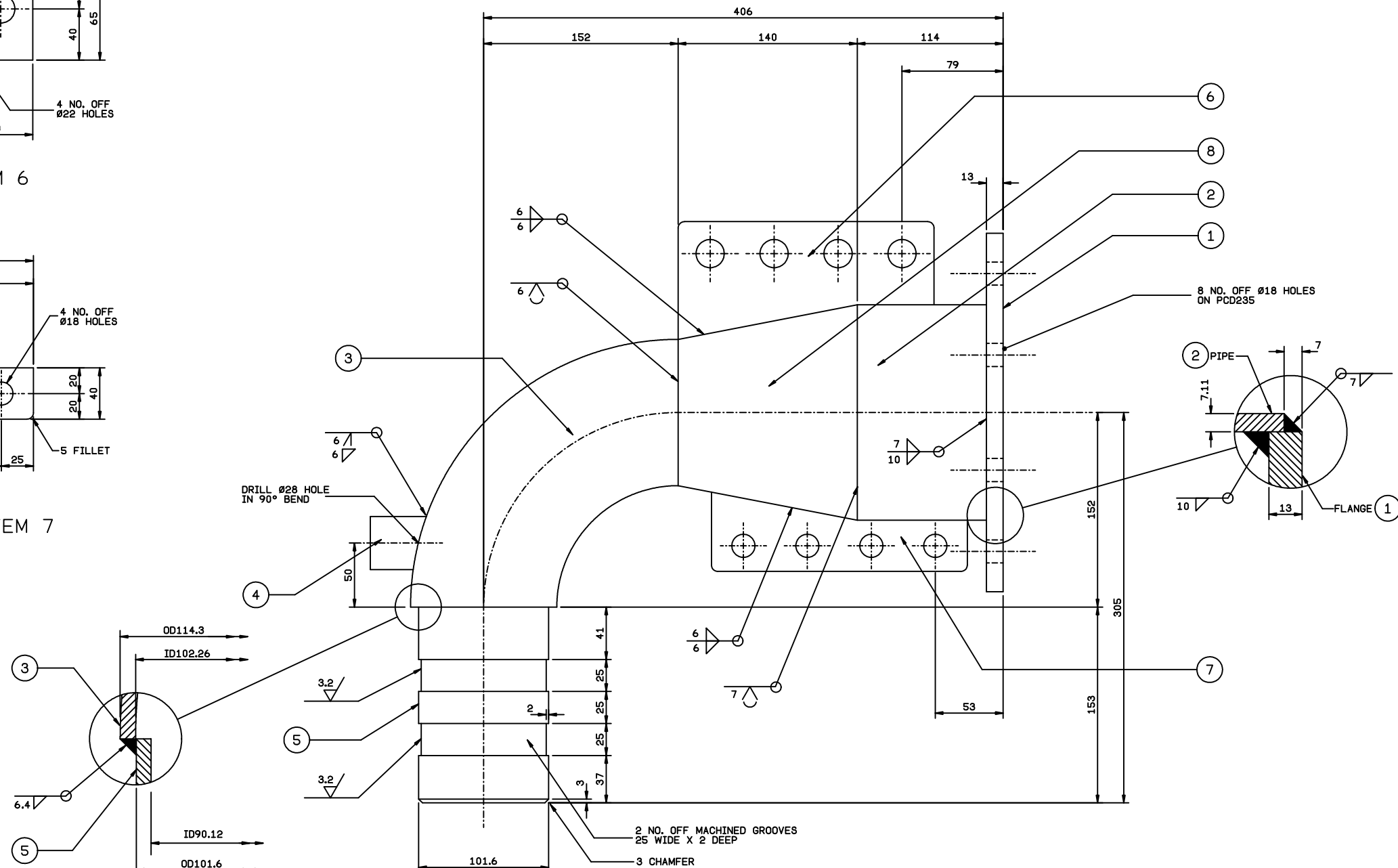
NOTES:
 GENERAL
 G1. ALL DIMENSIONS ARE IN MILLIMETRES.
 GALVANISING
 GA1. HOT DIPPED GALVANISING IS TO COMPLY WITH AS 4680.
 GA2. THE AVERAGE COATING MASS MINIMUM SHALL BE 600 g/m². THE AVERAGE COATING THICKNESS MINIMUM SHALL BE 85 µm.
 GA3. UNCOATED STEEL AREAS ARE NOT PERMITTED.



TOP HANGER ITEM 6
1 NO. OFF REQUIRED

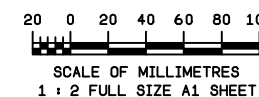


BOTTOM HANGER ITEM 7
1 NO. OFF REQUIRED



DN100 TO DN150 ENLARGING HOSE CONNECTION BEND
 SCALE 1 : 2 ON FULL SIZE A1 DRAWING SHEET
 MATERIAL: MILD STEEL HOT DIPPED GALVANISED AFTER FABRICATION

MATERIAL LIST	
ITEM NO.	DESCRIPTION
1	DN150 FLANGE TO AS4087 PN16 FIGURE B7 8 NO. OFF Ø18 HOLES ON PCD235 FLANGE OD280
2	DN150 SCHEDULE 40 PIPE OD168.3 WALL THICKNESS 7.11 ID154.05
3	DN100 90° LONG RADIUS BUTT WELDED BEND SCHEDULE 40 OD114.30 WALL THICKNESS 6.02 ID102.26
4	DN25 BSP THREADED SOCKET MACHINED FROM SOLID STEEL
5	DN90 SCHEDULE 40 PIPE MACHINED AS SHOWN OD101.60 WALL THICKNESS 5.74 ID90.12
6	TOP HANGER BRACKET CUT FROM 100 X 8 FLAT - SEE DETAIL
7	BOTTOM HANGER BRACKET 65 X 8 FLAT - SEE DETAIL
8	DN150 TO DN100 CONCENTRIC REDUCER SCHEDULE 40



THIS DRAWING SETS OUT THE GENERAL REQUIREMENTS FOR A STANDARD SEWERAGE PUMPING STATION. THE PROJECT SPECIFIC DESIGNING ENGINEER IS RESPONSIBLE FOR ENSURING ALL LEGISLATION AND OBLIGATIONS ARE FOLLOWED AND THE DESIGN MEETS THE FUNCTIONAL REQUIREMENTS SET OUT BY QUEENSLAND URBAN UTILITIES. ANY VARIATIONS FROM THE REQUIREMENTS SHOWN ON THIS DRAWING WILL REQUIRE QUEENSLAND URBAN UTILITIES APPROVAL.

ORIGINAL SIGNED I. G. BRUMBY 19/2/09
 DESIGN RPEQ No. DATE
 ORIGINAL SIGNED C. J. EATON 6511 23/2/09
 DESIGN CHECK RPEQ No. DATE

ORIGINAL SIGNED K. VAHEESAN 24/2/09
 MANAGER ENGINEERING SERVICES DATE
 ORIGINAL SIGNED A. KRUMINS 23/2/09
 MANAGER INFRASTRUCTURE PLANNING & SERVICES DATE



PROJECT STANDARD DRAWING SUBMERSIBLE SEWERAGE PUMPING STATION

TITLE CHAIN SUSPENDED SUBMERSIBLE PUMP DN100 TO DN150 ENLARGING HOSE CONNECTION BEND DETAILS

SHEET No. OF SHEETS
 QUEENSLAND URBAN UTILITIES DWG No. AMEND.
 486/5/25-0003-319 A

DATE: 15FEB11
 TIME: 19:54:41
 FILE: S25000331*P*BOARD