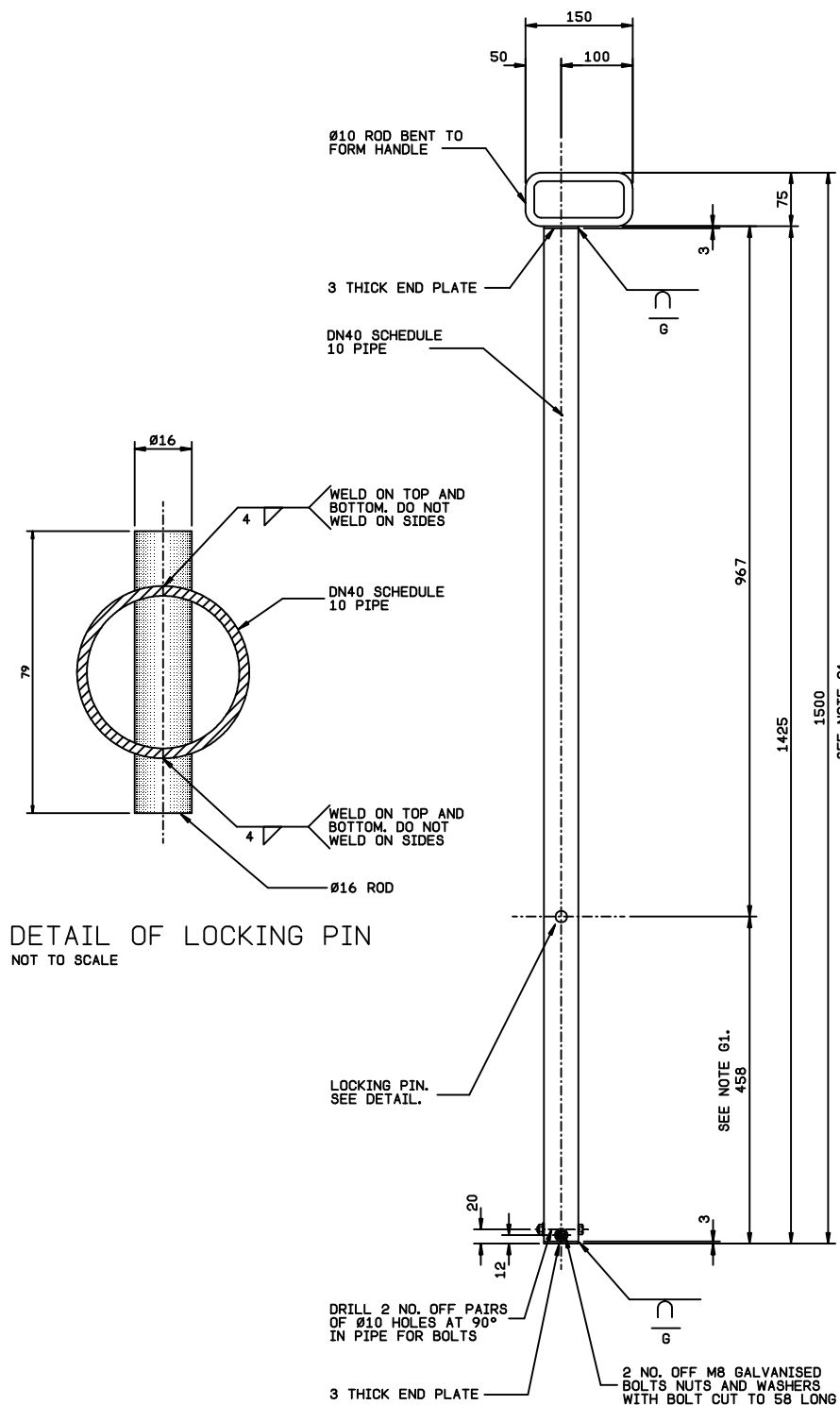
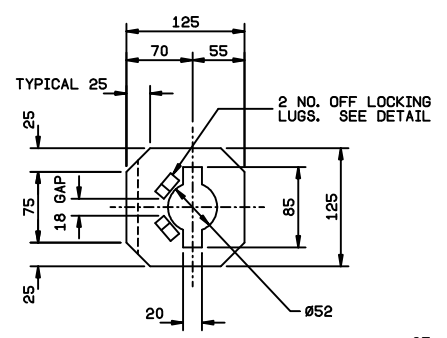


NOTES:
 GENERAL
 G1. THE LADDER SHOWN IN THIS DRAWING IS FOR A VALVE PIT WITH A MINIMUM DEPTH OF 1600mm. IN DEEPER PITS THE LADDER IS TO BE DESIGNED TO THE PRINCIPLES SET OUT IN THIS DRAWING. THE LADDER IS TO BE EXTENDED IN INCREMENTS OF 300 AND THE LOWER STILE GUIDE BRACKET IS TO BE SIMILARLY LOWERED AND THE EXTENDABLE STILES LENGTHENED.
 G2. THE MAXIMUM DISTANCE BETWEEN LADDER BRACKETS IS TO BE 1500mm. IF DISTANCE EXCEEDS 1500mm THEN INTERMEDIATE BRACKETS ARE REQUIRED AND THE SPACING OF THESE BRACKETS ARE TO BE THE SAME AS THOSE SET OUT IN DRAWING NO. 486/5/25-0003-631.
 G3. FOR INSTALLATION REQUIREMENTS REFER TO DRAWING NO. 486/5/25-0003-632.
 GALVANISING
 GA1. HOT DIPPED GALVANISING IS TO COMPLY WITH AS 4680.
 GA2. THE AVERAGE COATING MASS MINIMUM SHALL BE 600 g/m². THE AVERAGE COATING THICKNESS MINIMUM SHALL BE 85 μm.
 GA3. UNCOATED STEEL AREAS ARE NOT PERMITTED.

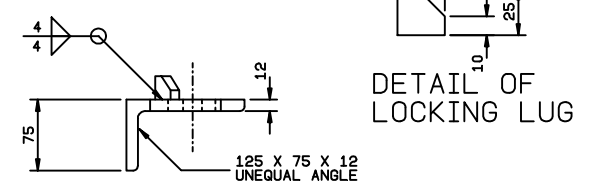


DETAIL OF LOCKING PIN
 NOT TO SCALE

DETAIL OF EXTENDABLE STILE
 2 NO. OFF REQUIRED
 MATERIAL: MILD STEEL HOT DIPPED GALVANISED AFTER FABRICATION
 NOT TO SCALE
 SEE NOTE G1.

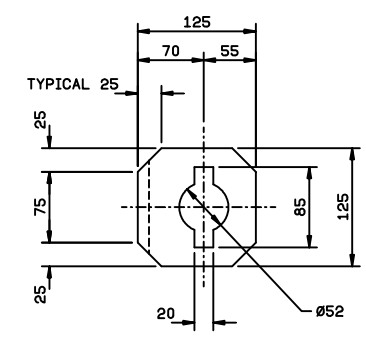


PLAN VIEW

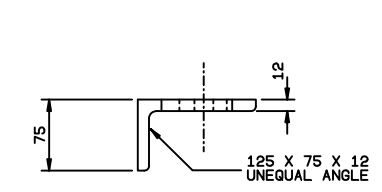


FRONT VIEW

DETAIL OF STILE TOP GUIDE BRACKET
 2 NO. OFF REQUIRED
 MATERIAL: MILD STEEL HOT DIPPED GALVANISED AFTER WELDING TO LADDER
 NOT TO SCALE

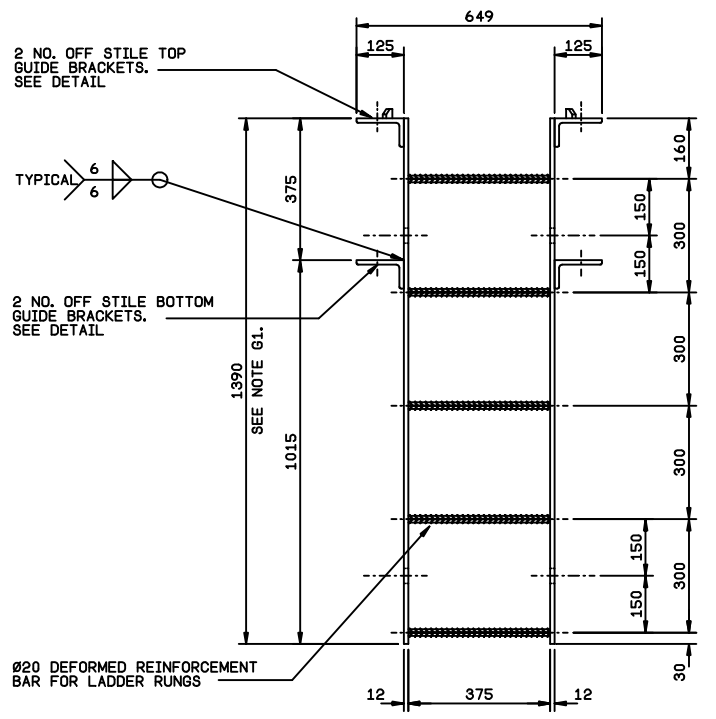


PLAN VIEW

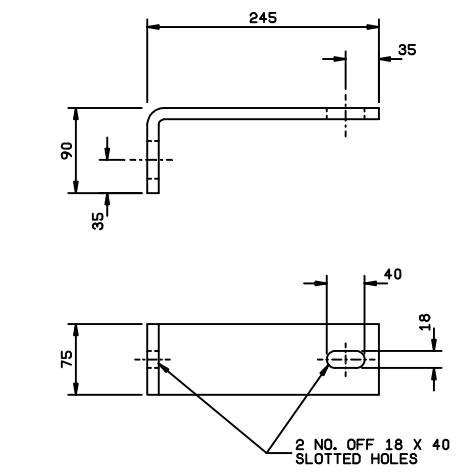
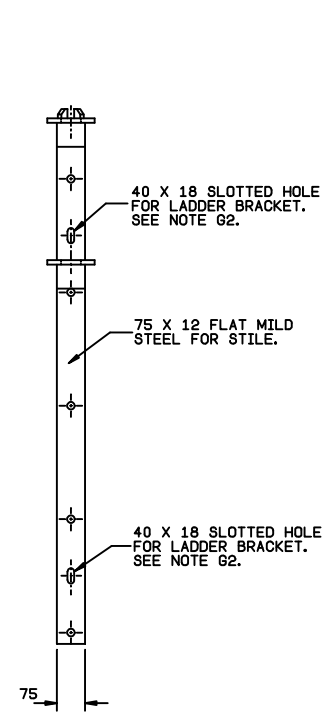


FRONT VIEW

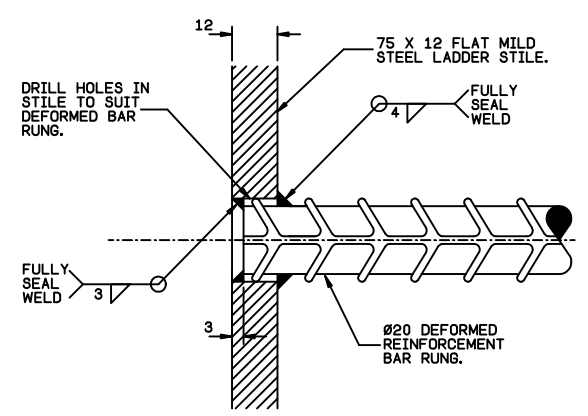
DETAIL OF STILE BOTTOM GUIDE BRACKET
 2 NO. OFF REQUIRED
 MATERIAL: MILD STEEL HOT DIPPED GALVANISED AFTER WELDING TO LADDER
 NOT TO SCALE



DETAIL OF LADDER
 MATERIAL: MILD STEEL HOT DIPPED GALVANISED AFTER FABRICATION.
 SEE NOTE G1.
 NOT TO SCALE



DETAIL OF LADDER BRACKET
 4 NO. OFF FOR LADDER SHOWN SEE NOTE G2.
 MATERIAL: MILD STEEL HOT DIPPED GALVANISED AFTER FABRICATION
 NOT TO SCALE



RUNG FIXING DETAIL
 NOT TO SCALE

DATE: 15FEB11		THIS DRAWING SETS OUT THE GENERAL REQUIREMENTS FOR A STANDARD SEWERAGE PUMPING STATION. THE PROJECT SPECIFIC DESIGNING ENGINEER IS RESPONSIBLE FOR ENSURING ALL LEGISLATION AND OBLIGATIONS ARE FOLLOWED AND THE DESIGN MEETS THE FUNCTIONAL REQUIREMENTS SET OUT BY QUEENSLAND URBAN UTILITIES. ANY VARIATIONS FROM THE REQUIREMENTS SHOWN ON THIS DRAWING WILL REQUIRE QUEENSLAND URBAN UTILITIES APPROVAL.		ORIGINAL SIGNED I. G. BRUMBY 19/2/09 DESIGN RPEQ No. DATE		ORIGINAL SIGNED K. VAHEESAN 24/2/09 MANAGER ENGINEERING SERVICES DATE		PROJECT STANDARD DRAWING SUBMERSIBLE SEWERAGE PUMPING STATION		TITLE LADDER FOR VALVE PIT LADDER COMPONENT DETAILS		SHEET No. 2 OF 2 SHEETS QUEENSLAND URBAN UTILITIES DWG. No. 486/5/25-0003-633		AMEND. A	
DATE: 2/12/10		AMENDMENT UPDATED TO QUU REQUIREMENTS		ORIGINAL SIGNED C. J. EATON 6511 23/2/09 DESIGN CHECK RPEQ No. DATE		ORIGINAL SIGNED A. KRUMINS 23/2/09 MANAGER INFRASTRUCTURE PLANNING & SERVICES DATE									